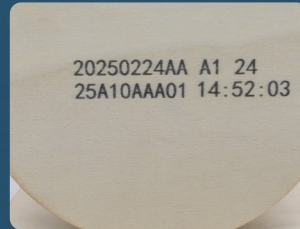




TIJ Inkjet Printer



Simple Coding Solution



Coding Tomorrow

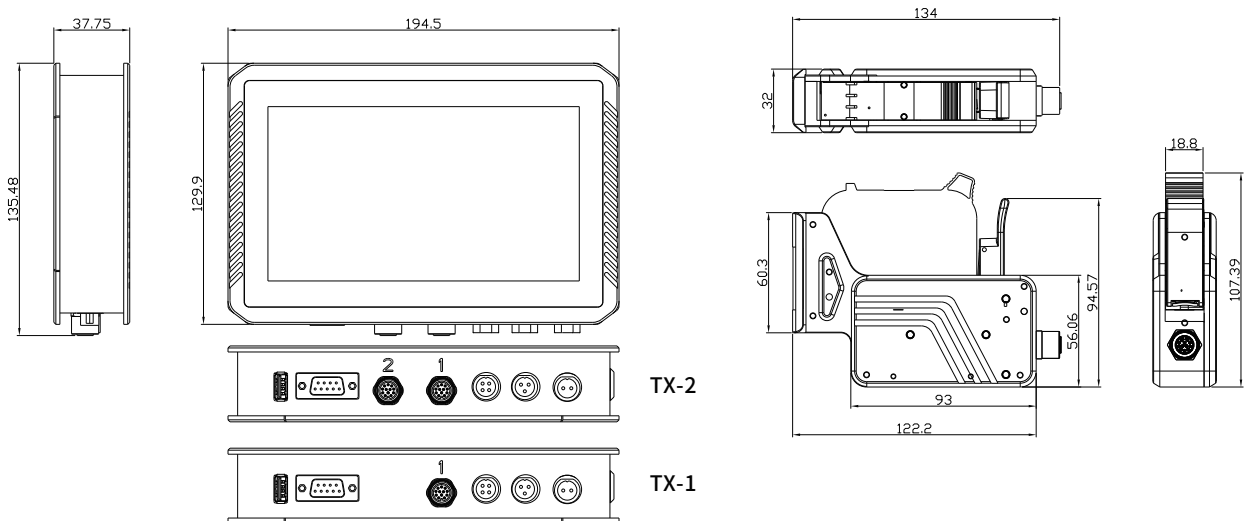
www.leadtech.ltd
LEAD TECH (ZHUHAI) ELECTRONIC CO., LTD.



Specifications

Model	TX-1	TX-2
Material	Aluminum Coating	
Printing Performance	150DPI:150m/min 200DPI:95m/min 300DPI:75m/min 600DPI:36m/min	
Printing Height	12.7mm (Single Head)	25.4mm (Double Head)
Printhead	Half inch	Half inch x 2
System Language	Simplified Chinese, Traditional Chinese, English, Arabic, Czech, French, German, Hungarian, Greek, Italian, Japanese, Korean, Mongolian, Persian, Russian, Spanish, Portuguese, Swedish, Thai, Vietnamese, Turkish.	
Print Content	English, Chinese, Arabic Numbers, Serial number, Barcode, Shift, DM/QR Code, UPC A&E, EAN 8 & 13, Code 128 A,B & C, Code 125, GS1, UCC/EAN128, Code 39, Automatic date/time/expiry date, LOGO, Special characters, etc	
Extra Memory	USB, RS232	
Temperature Humidity range	5°C-45°C(41°F-113°F) , Non-condensing	
Power	Input: AC100-24V Output: DC12V 4A	

Dimensions



LEAD TECH (ZHU HAI) ELECTRONIC CO., LTD.

Tel: +86 756-7255629

Fax: +86 756-7255638

Web: www.leadtech.ltd

Add: Floor 3/4 , Building 1, No. 728, Jinhu Road, Sanzao Town, Jinwan District, Zhuhai City